

Overview

Models

HP Advanced Wireless Docking Station

F7M97AA

HP 2570p Docking Station

A9B77AA

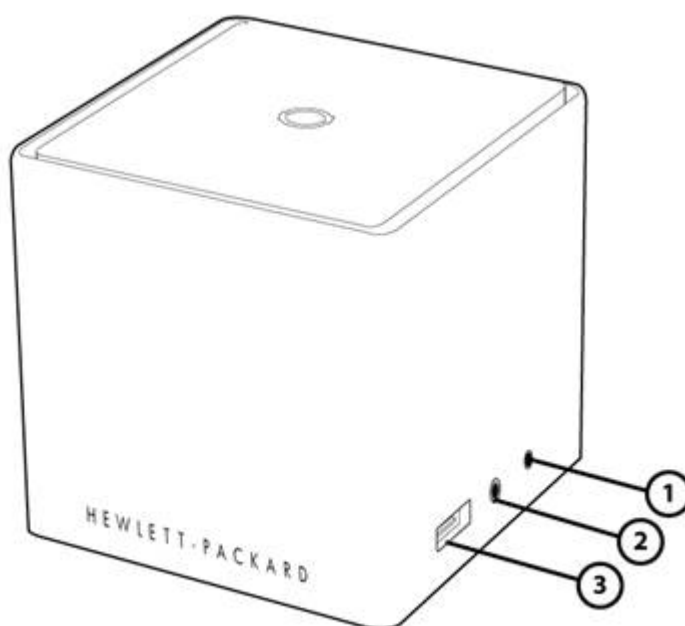
HP 2740 Ultra-Slim Expansion Base

WA995AA

HP UltraSlim Docking Station

D9Y32AA

HP Advanced Wireless Dock – Front side

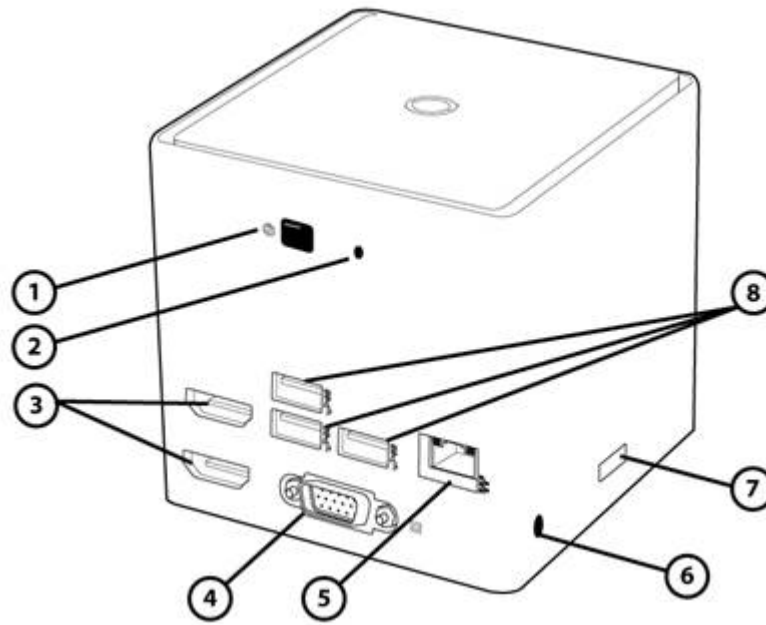


1. Microphone in
2. Headphone out

3. USB 3.0 Charging port

HP Advanced Wireless Dock – Rear side

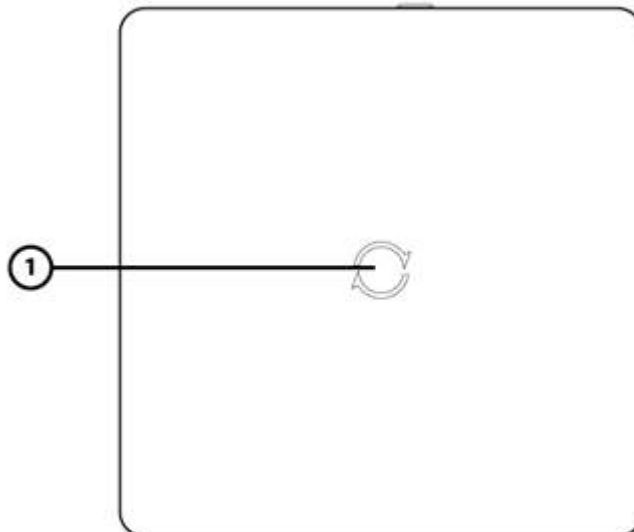
Overview



- 1. Power button
- 2. Reset button
- 3. Display Ports 1.2
- 4. VGA Port

- 5. RJ45 (Ethernet) Port
- 6. DC in jack -4.5 mm
- 7. Security lock slot
- 8. USB 3.0 ports

HP Advanced Wireless Dock – Top view



- 1. Connection button

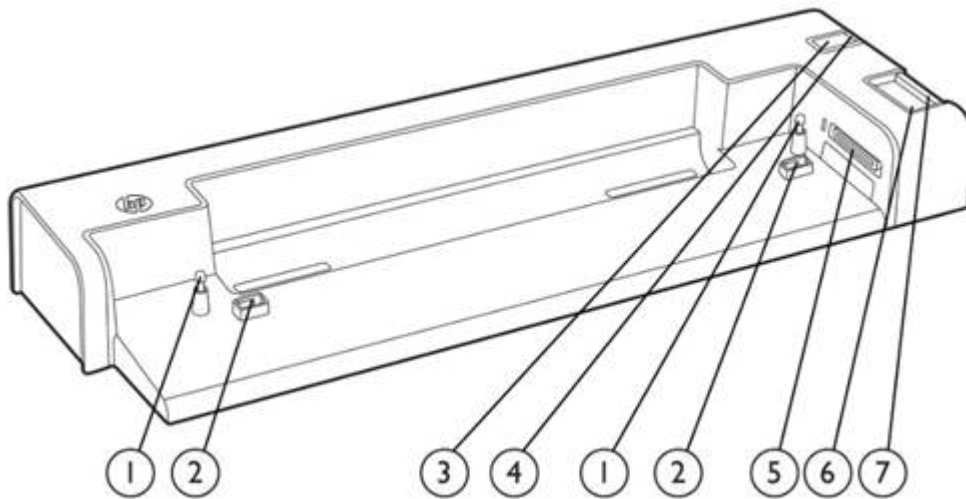
Overview

Components

Ports	4 USB 3.0 ports (3 std, 1 powered) 1 RJ45 (10/100/1000) 1 Security lock slot 1 VGA Port 2 Display Port 1.2 1 Microphone in 1 Headphone out 1 DC in jack - 4.5mm
--------------	--

Note: The WiGig-compatible notebook or tablet must be positioned within 1.2 m (4 ft) and without obstruction in the line of sight of the wireless dock. HP Advanced Wireless Docking is compatible with the HP Elite x2 1011 G1 with an optional installed Intel® Tri Band Wireless AC with WiGig Combo card available at the time of purchase.

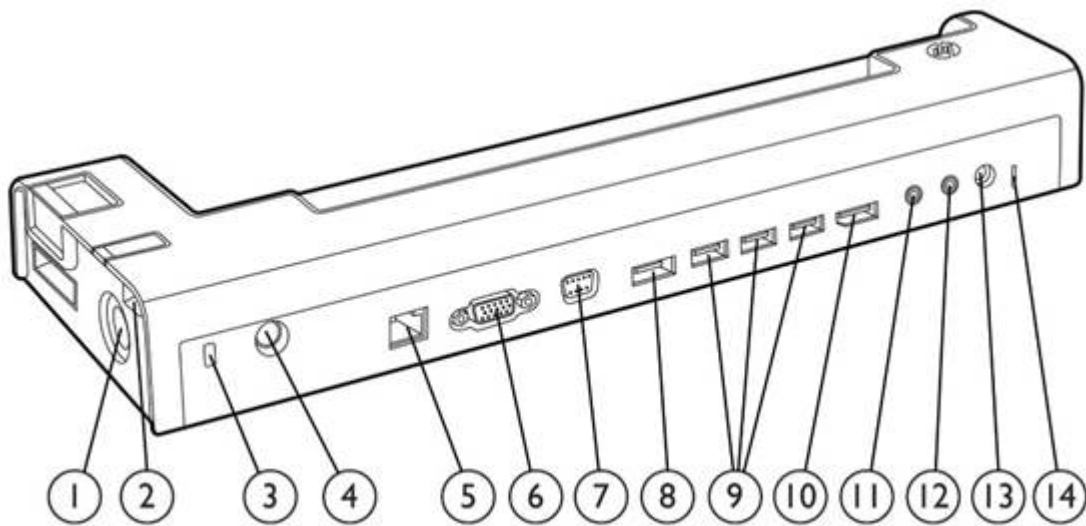
HP 2570p Docking Station



1. Docking posts
2. Computer connect/release mechanisms
3. Power button
4. Computer power light
5. Docking connector
6. Connect button
7. Connect light

Overview

HP 2570p Docking Station Rear/Right Side



- | | |
|--------------------------------|--|
| 1. HP Lock (Lock not included) | 8. eSATA port |
| 2. Powered USB 2.0 port | 9. USB 3.0 ports (3) |
| 3. Security lock slot | 10. DisplayPort 1.2 |
| 4. HP Lock slot | 11. Audio-in jack |
| 5. LAN/Ethernet jack | 12. Audio-out jack |
| 6. VGA port | 13. Power connector |
| 7. Monitor stand port | 14. Power in LED (indicates docking station is plugged in) |

HP 2570p Docking Station A9B77AA

Front Components

Docking posts (2)	Align and secure the computer for proper connection to the docking station
Computer connect/ release mechanisms (2)	Connect and release the computer when you press the connect button
Power button	Turns on the power to the computer
Computer power light	Light on: docked computer is turned on Light blinking: docked computer is in standby mode
Docking connector	Connects the computer to the docking station
Connect button	Secures and releases the computer Slide in to secure the computer Slide out to release the computer
Connect light	On: a computer is fully docked

Rear/Right-Side Components

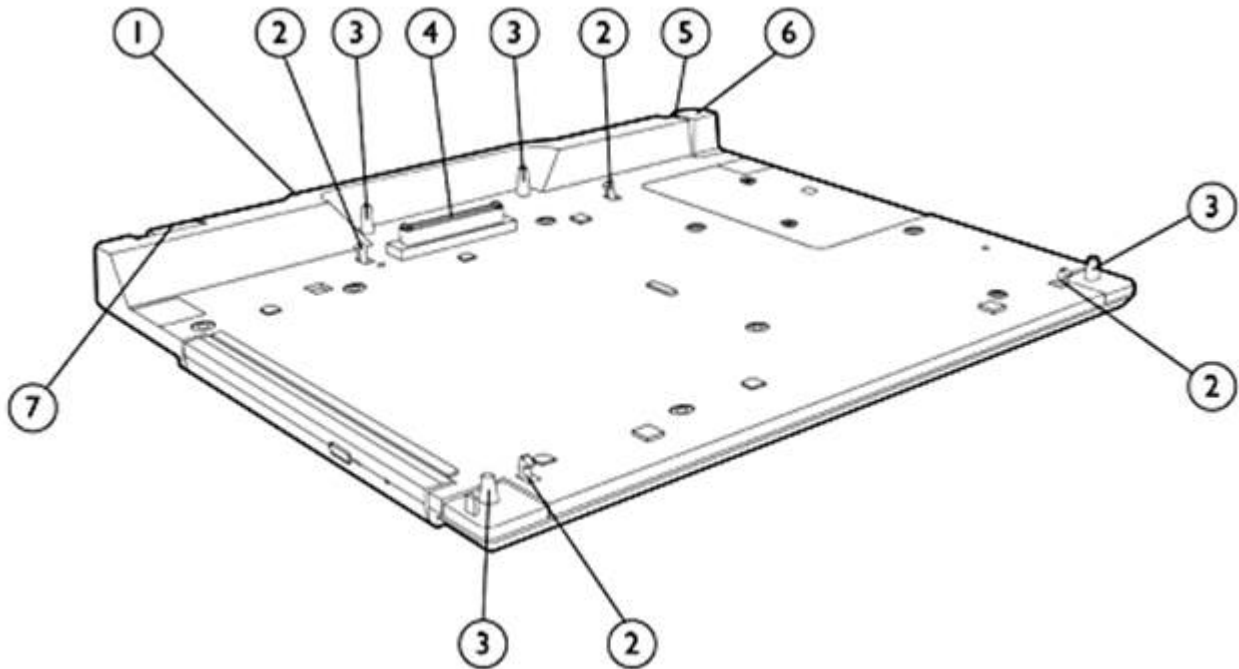
AC power port	Energy-efficient 65W Smart AC adapter features integrated surge protection to help against power fluctuations.
Powered USB 2.0 port	One; allows you to connect to select USB devices
USB 3.0 ports	Three; allow you to connect to standard USB devices.

Overview

Integrated cable lock slot	Supports the HP Docking Station Cable Lock with a simplified locking mechanism. Gives you two security options: lock the docking station only (which also prevents access to the Station drive bay); or lock both the docking station and your notebook for additional security. Also supports an industry standard notebook lock.
Network connectors	Ethernet ports
USB ports	3 USB 3.0 ports, 1 powered USB 2.0 port
Audio connectors	Audio in, audio out (does not support mic out)
Other connectors	Monitor stand power, VGA, DisplayPort 1.2, eSATA

NOTE: Your computer, docking station, and monitor must all support USB 3.0 and DisplayPort 1.2 to benefit from the advanced speeds or features that these technologies provide. If one of the devices does not support these technologies, you will still have USB 2.0 and DisplayPort 1.1 functionality.

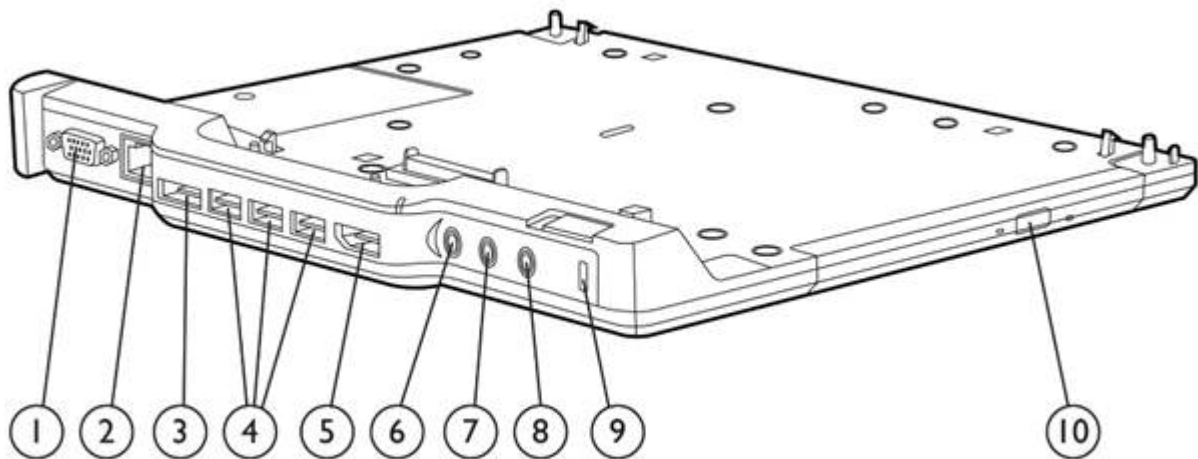
HP 2740 Ultra-Slim Expansion Base



1. AC power connect light
2. Computer connect/release mechanisms
3. Docking posts
4. Docking connector
5. Connection light
6. Connection latch
7. Cable lock selection slider

Overview

HP 2740 Ultra-Slim Expansion Base Rear/Right Side



- | | |
|----------------------|-----------------------|
| 1. VGA port | 6. Audio-in jack |
| 2. LAN/Ethernet port | 7. Audio-out jack |
| 3. eSATA port | 8. Power connector |
| 4. USB 2.0 ports (3) | 9. Notebook lock slot |
| 5. DisplayPort 1.1 | 10. Optical drive |

HP 2740 Ultra-Slim Expansion Base WA995AA

Top Components

Docking posts (2)	Align and secure the computer for proper connection to the docking station
Computer connect/release mechanisms (2)	Connect and release the computer when you press the connect button
Docking connector	Docking connector for notebook or travel battery
Connect button	Secures and releases the computer Slide in to secure the computer Slide out to release the computer
LEDs	AC present: aqua white; Dock connected: blue; two RJ45 LEDs: amber/green

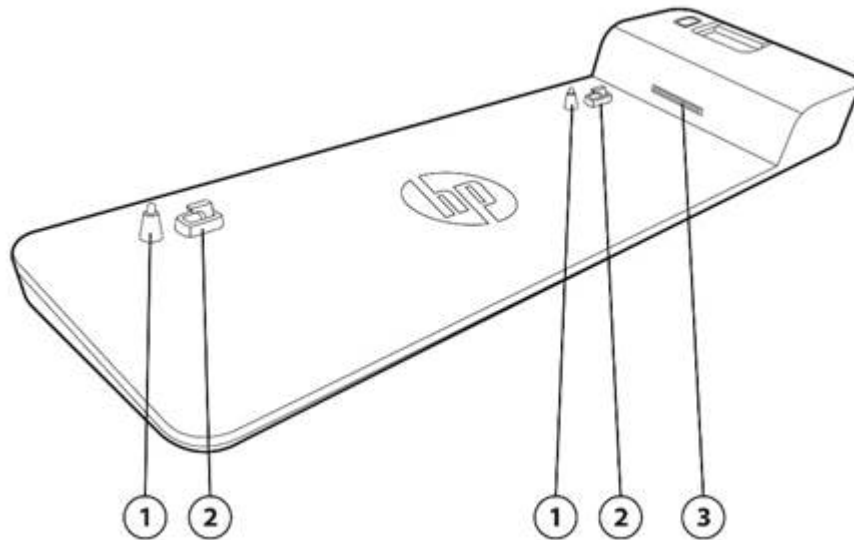
Rear/Right-Side Components

AC power port	Energy-efficient 65W Smart AC adapter features integrated surge protection to help against power fluctuations.
Optical drive	9.5mm PATA DVD +/-RW Optical drive
Integrated cable lock slot	Supports the HP Docking Station Cable Lock with a simplified locking mechanism. Gives you two security options: lock the docking station only (which also prevents access to the Station drive bay); or lock both the docking station and your notebook for additional security. Also supports an industry standard notebook lock.
Network connectors	RJ-45 / Ethernet pass thru
USB ports	3 USB 2.0 ports

Overview

Audio connectors	Headphone output (stereo); microphone input (stereo)
Other connectors	VGA, DisplayPort 1.1, eSATA

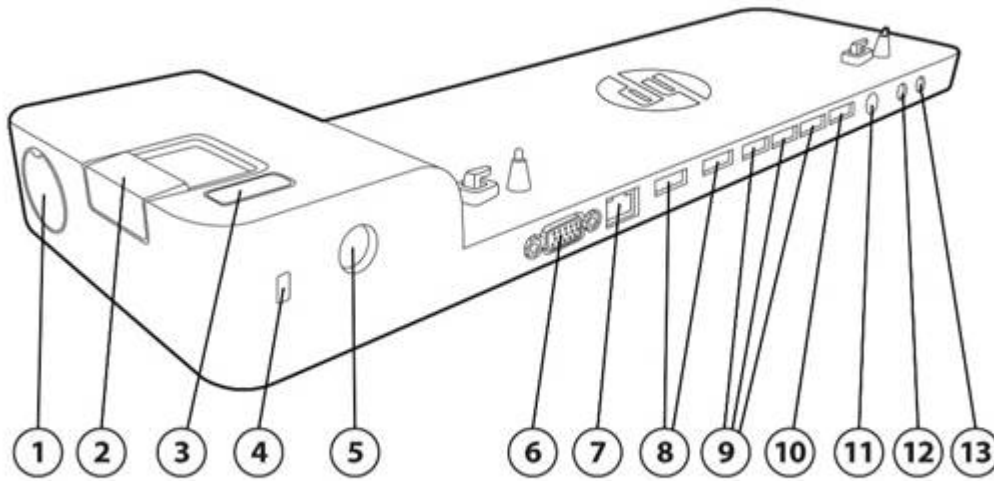
2013 HP UltraSlim Docking Station – Front side



- 1. Docking posts
- 2. Locking mechanism
- 3. Side docking connector

2013 HP UltraSlim Docking Station – Rear side

Overview



- | | |
|--|-------------------------------|
| 1. Docking station cable lock slot (lock not included) | 8. DisplayPort 1.2 (2) |
| 2. Connection button | 9. USB 3.0 ports (3) |
| 3. Power on/off | 10. USB 3.0 charging port (1) |
| 4. Lock slot (lock not included) | 11. Power connector |
| 5. Docking station cable lock slot (lock not included) | 12. Line in jack |
| 6. VGA port | 13. Line out jack |
| 7. LAN/Ethernet port | |

HP UltraSlim Docking Station D9Y32AA

Front Components

Docking posts (2)	Align and secure the computer for proper connection to the docking station
Computer connect/release mechanisms (2)	Connect and release the computer when you press the connection button
Docking connector	Docking connector for notebook
Connect button	Secures and releases the computer Slide in to secure the computer Slide out to release the computer
LEDs	AC present: aqua white; Dock connected: white; two RJ45 LEDs: amber/green

Rear Components

AC power port	Energy-efficient 65W Smart AC adapter features integrated surge protection to help against power fluctuations.
----------------------	--

Overview

Integrated cable lock slot	Supports the HP Docking Station Cable Lock with a simplified locking mechanism. Gives you two security options: lock the docking station only (which also prevents access to the Station drive bay); or lock both the docking station and your notebook for additional security. Also supports an industry standard notebook lock.
Network connectors	RJ-45 / Ethernet pass thru
USB ports	3 USB 3.0 ports, 1 USB 3.0 charging port
Audio connectors	Line-In; Line-Out
Other connectors	VGA, DisplayPort 1.1a (DP 1.2 capable)

NOTE: Your computer, docking station, and monitor must all support USB 3.0 and DisplayPort 1.2 to benefit from the advanced speeds or features that these technologies provide. If one of the devices does not support these technologies, you will still have USB 2.0 and DisplayPort 1.1 functionality.

Technical Specifications

HP Advanced Wireless Docking Station

Dimensions (W x D x H)	3.35 x 3.35 x 3.43 in (8.5 x 8.5 x 8.7 cm)
Weight	0.92 lb (0.42 kg)
Stand-alone power requirements	
Normal Operating Voltage	18.5 V
Average Operating Power	18.5 W
Max Operating Power	< 45 W
Temperature	
Operating	32° to 95° F (0° to 35° C) (not writing optical)
Non-operating	4° to 140° F (-20° to 60° C)
Relative humidity	
Operating	10% to 90%, non-condensing
Non-operating	5% to 95%, 101.6° F (38.7° C) maximum wet bulb temperature
Altitude (unpressurized)	
Operating	-50 to 10,000 ft (-15.24 to 3,048 m)
Non-operating	-50 to 40,000 ft (-15.24 to 12,192 m)
Shock	
Operating	40 G, 2 ms, half-sine
Non-operating	240 G, 2 ms, half-sine
Random vibration	
Operating	0.251-1.043 grms
Non-operating	3.50 grms
Option Kit Contents	HP Wireless Dock, AC power adapter, documentation

HP 2570p Docking Station

HP 2740 Ultra-Slim Expansion Base

Dimensions (H x W x D)	2.0 x 14.1 x 4.8 in (5.1 x 35.9 x 12.1 cm)	0.5 x 9.06 x 10.5 in (1.27 x 2.3 x 2.69 cm)
Weight	2.04 lb (0.93 kg)	1.73 lb (0.79kg)
Stand-alone power requirements		
Normal Operating Voltage		18.5 V
Average Operating Power		18.5 W
Max Operating Power		< 65 W
Temperature		
Operating		32° to 95° F (0° to 35° C)
Non-operating		4° to 140° F (-20° to 60° C)
Relative humidity		
Operating		10% to 90%, non-condensing
Non-operating		5% to 95%, 101.6° F (38.7° C) maximum wet bulb temperature
Altitude		

Technical Specifications

Operating	-50 to 10,000 ft (-15.24 to 3,048 m)
Non-operating	-50 to 40,000 ft (-15.24 to 12,192 m)
Shock	
Operating	125 G, 2 ms, half-sine
Non-operating	200 G, 2 ms, half-sine
Random vibration	
Operating	0.75 grms
Non-operating	1.50 grms
Option Kit Contents	HP 2570p Docking Station, AC power adapter, HP 2740 Ultra-Slim Expansion Base, AC power adapter, documentation

HP UltraSlim Docking Station

Dimensions (H x W x D)	1.7 x 14.5 x 4.2 in (4.4 x 36.8x 10.7 cm)
Weight	1.69 lb (0.76 kg)
Stand-alone power requirements	
Normal Operating Voltage	18.5 V
Average Operating Power	18.5 W
Max Operating Power	< 65 W
Temperature	
Operating	32° to 95° F (0° to 35° C)
Non-operating	4° to 140° F (-20° to 60° C)
Relative humidity	
Operating	10% to 90%, non-condensing
Non-operating	5% to 95%, 101.6° F (38.7° C) maximum wet bulb temperature
Altitude	
Operating	-50 to 10,000 ft (-15.24 to 3,048 m)
Non-operating	-50 to 40,000 ft (-15.24 to 12,192 m)
Shock	
Operating	125 G, 2 ms, half-sine
Non-operating	200 G, 2 ms, half-sine
Random vibration	
Operating	0.75 grms
Non-operating	1.50 grms
Option Kit Contents	2013 HP UltraSlim Docking Station, AC power adapter, documentation

Technical Specifications

Compatibility

HP Ultra-light Docking Stations are compatible with HP EliteBook Notebook and Tablet PCs as follows:

Docking Station

HP Advanced Wireless Docking Station
HP 2570p Docking Station
HP 2740 Ultra-Slim Expansion Base
HP UltraSlim Docking Station

Compatible Notebooks

HP Elite x2 1011 G1***
HP EliteBook 2540p, 2560p, and 2570p Notebook PC¹
HP EliteBook 2740p and 2760p Tablet PC
HP Elitebook 820 G1-G2, 850 G2, 840 G1-G2, 850 G1, 1020 G1-G2, 1040 G1-G2
HP Elitebook 720 G1-G2, 725 G1-G2, 750 G1-G2, 740 G1-G2, 750 G1-G2, 745 G1-G2, 755 G1-G2, 1040
HP EliteBook Folio 9480m, 9470m
HP EliteBook Revolve 810 G1, 810 G2
HP Pro x2 612 G1
HP ZBook 14

NOTE: Your computer, docking station, and monitor must all support USB 3.0 and DisplayPort 1.2 to benefit from the advanced speeds or features that these technologies provide. If one of the devices does not support these technologies, you will still have USB 2.0 and DisplayPort 1.1 functionality.

***The WiGig-compatible notebook or tablet must be positioned within 1.2 m (4 ft) and without obstruction in the line of sight of the wireless dock. HP Advanced Wireless Docking is compatible with the HP Elite x2 1011 G1 with an optional installed Intel Tri Band Wireless AC with WiGig Combo card available at the time of purchase.

Service and Support

HP Ultra-light Docking Stations are supported by a one-year limited warranty. Additional support is available 24 hours a day, seven days a week by phone as well as online support forums.

NOTE: Certain restrictions and exclusions apply. Consult the HP Customer Support Center for details.

¹ The combination of the HP EliteBook 2540p Notebook PC with the HP 2570p Docking Station may result in a limited functionality of some of the docking station's connectors.

Summary of Changes

Date of change	Version History		Description of change
December 17, 2014	V11 to V12	Added	Added the HP Advanced Wireless Docking Station and specs to file.
January 23, 2015	V12 to V13	Updated	Computability for HP UltraSlim Docking
April 24, 2015	V13 to V14	Removed	2013 Ultra Slim Docking Station D9Y32AA
April 28, 2015	V14 to V15	Added	Ultra Slim Docking Station D9Y32AA
		Removed	HP UltraSlim Docking Station B9C87AA

© Copyright 2015 Hewlett-Packard Development Company, L.P.

The information contained herein is subject to change without notice. The only warranties for HP products and services are set forth in the express warranty statements accompanying such products and services. Nothing herein should be construed as constituting an additional warranty. HP shall not be liable for technical or editorial errors or omissions contained herein.